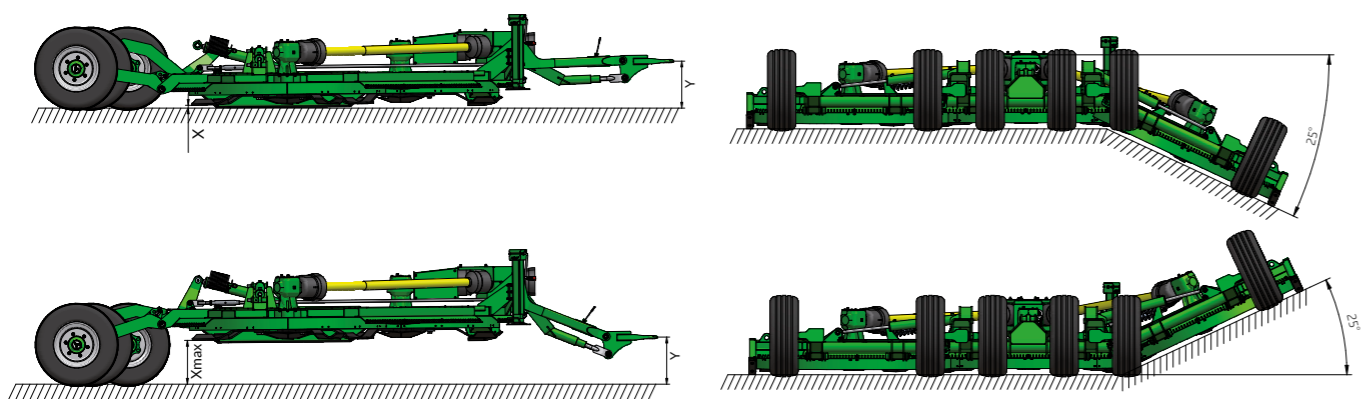




X min - 25|1"
 X max - 400 | 15"
 Y - adjustable



TRI-WING MULCHERS KPR500 | KPR700



PRONAR Sp. z o.o. | Mickiewicza 101 A | 17-210 Narew | Poland

northamerica@pronar-agro.com

pronar-agro.com

+48 507 101 663 | +48 85 68 54 541 | +48 515 068 475



TRI-WING MULCHER

PRONAR KPR500 | KPR700

PRONAR KPR500



PRONAR KPR700



TECHNICAL DATA	KPR500	KPR700
Dimensions in transport position (L/W/H) [mm ft]	5700/3000/2500 18'8.4"/9'10.11"/8'2.43" depending on suspension settings	6465/3000/3370 21'2.53"/9'10.11"/11'0.7" depending on suspension settings
Mowing width [mm ft]	5000 16'4.85"	7000 22'11.6"
Mowing height [mm in]	25-400 0.98 - 15.75	25-400 0.98-15.75
Blade overlap		
Central head – side head [mm in]	125 4.9	140 5.51
Side head – side head [mm in]	-	105 4.13
Empty weight [kg lbs]	2830 6239	4300 9480
Drawbar tonque load [kg lbs]	1050 2315	1200 2646
Drawbar [mm in]	ø 40 ø 1.57	ø 40 ø 1.57
Cutting heads quantity	3	5
Knives per cutting head	3 standard (optional 6 twisted blades with counter knives)	3 standard (optional 6 twisted blades with counter knives)
Tires	6 wheels – 10.0/75-15.3 10PR (optional - 2 front leading wheels)	8 wheels – 10.0/75-15.3 10PR (central deck) 10.0/80-120010PR (wings)
Power requirements [kW/HP]	88-120 * depending on working condition and material fracture	120-160 * depending on working condition and material fracture
Transport position	On the drawbar, the wings folded and secured with a lock, the suspension raised as high as possible	
Required hydraulic lines of the tractor	1 x single acting section and 1 x single acting section with floating position	

STANDARD AND OPTIONAL EQUIPMENT		
6-knife heads	O	O
PRONAR knives made of wear-resistant steel	S	S
Counter knives (only in combination with 6-knife heads)	O	O
Swivel hitch Ø50 [mm]	O	O
K80 ball link [mm]	O	O
Drawbar for connecting to the tractor's upper hitch	O	O
Jockey wheel at the front of the side wings - 2 [pcs.]	O	-
Amortized suspension	O	-
Road lighting	S	S
PTO 3/8" Z21	O	O
PTO 3/4" Z20	O	O
Reinforcements made of abrasion-resistant sheet metal	S	S
Flat deck	S	S

S – standard
O – option

CUTTING HEAD

STANDARD (KPR500)
3 knives



STANDARD (KPR700)
3 knives



OPTION (KPR500, KPR700)
6 knives + counter knives



- additional reinforced sheet metal deck, abrasion resistant
- hydraulically regulated cutting height
- distribution gear
- 5 gearboxes
- road lights



FUNCTIONALITY:

- | Side wings raised to transport position.
- | Easy and quick cutting height adjustment.
- | Additional reinforcements made of high resistant metal for maximum durability.
- | Precise ground following.



KPR500 - transport position



hydroaccumulators are used with amortized suspension (option)



3 bladed head as standard